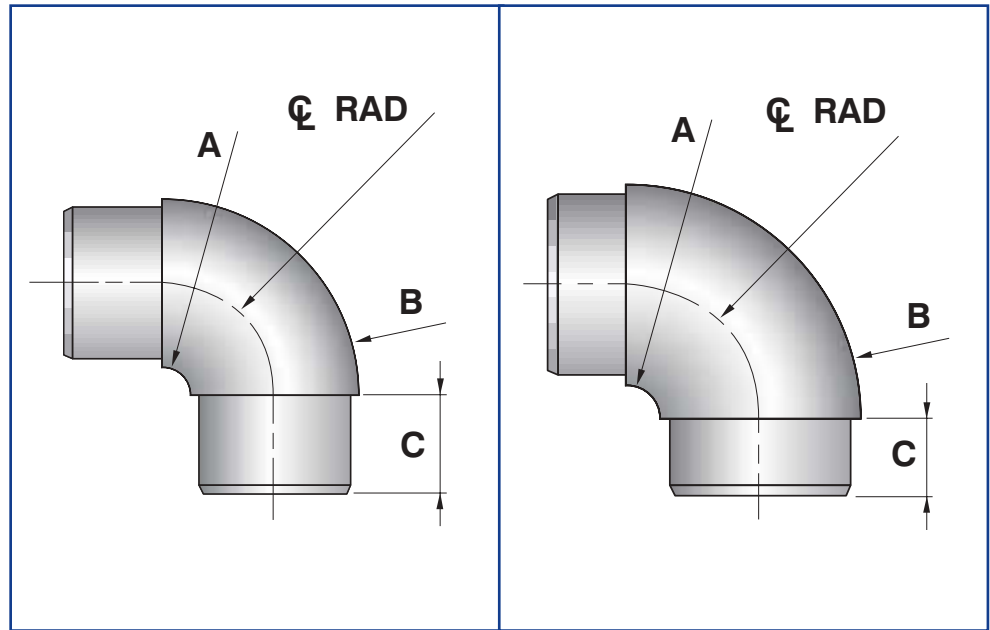




CAST CORNERS

CAST CORNER 'A' PLANE

CAST CORNER 'B' PLANE



CAST CORNER 'A' PLANE:

OVAL SIZE	A	B	C	C/L Rad
23	4	17.3	20	10.65
30	4	21.5	20	12.75
39	9.5	30	25	19.75
47	9.5	34.5	25	22.00
61	9.5	46.5	25	28.00
71	10	55	30	32.50
86	17	75	35	46.00
121	38	114	60	76.00

CAST CORNER 'B' PLANE:

OVAL SIZE	A	B	C	C/L Rad
23	4	27.5	20	15.75
30	4	34.5	20	19.25
39	9.5	49	25	29.25
47	9.5	56.5	25	33.00
61	9.5	70.5	25	40.00
71	10	81	30	45.50
86	17	103	35	60.00
121	38	159	60	98.50